

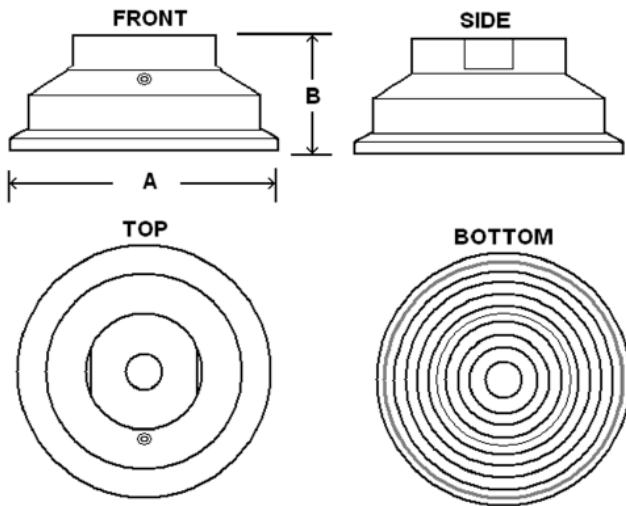


**KODIAK
CONTROLS®
INC.**

Kodiak Sanitary Diaphragm Seal

Specifications

Design:	Upper housing and separated diaphragm
Instruments:	Gauges, Transducers, & Switches
Gauge Sizes:	1.5 to 6" Dial Sizes Can Be Used
Upper Housing:	316SS
Diaphragm:	316SS
Instrument Conn.:	1/4", 1/2" FNPT
Process Conn.:	1.5" & 2" Tri-Clamp (consult factory for other sizes)
Temperature:	-10°F to 572°F
Pressure Rating:	Dependant on clamp and gasket used with assembly



Tri-Clamp Size	Unit	A	B
1.5"	In	2.00"	1.26"
	mm	51	32
2"	In	2.50"	1.26"
	mm	63	32

Part Number:

Example:
KCDSM3A 1 6

