

Type 1082 Test Gauge



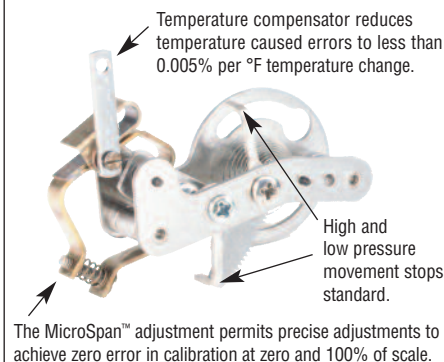
TYPE 1082

FEATURES

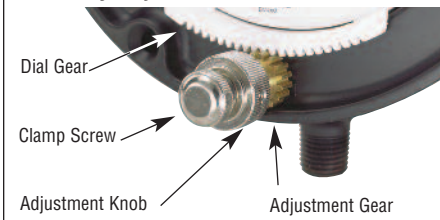
- Externally adjustable dial (standard case)
- White aluminum dial, black numbers with polished mirror band
- Temperature-compensated movement significantly reduces temperature error
- MicroSpan™ adjustment for ease in span calibration
- Hydraulically staked movement with Teflon-coated gears and bearings

The standard Ashcroft® test gauge case style features a solid-front aluminum case with a hinged ring. The dial has a polished mirror band for pointer reflection to prevent parallax error and is available in 4½", 6" and 8½" dial sizes in both lower and back connection. Pointer is a balanced-friction adjustable design with red knife edge tip for easy reading. Optional aluminum or phenol cases are also available.

Temperature Compensated Movement



Externally Adjustable Dial



HOW TO ORDER:

From Table A, Dial Size: 4½" : 45 | 1082 | P* | 02L | XXX | 0/2,000 psi

From Table A, Case Type Number: 1082

From Table B, Bourdon tube and socket:

From Table B, Connection: ¼ NPT (02), ½ NPT (04), Lower (L), Back (B)

From Optional Features:

From Range Table: 2000 psi

(*) "S" denotes solid front case design

SPECIFICATIONS

Model Number:	1082
Accuracy:	0.25/ASME B40.100, Grade 3A
Ranges:	Vac., compound, 10,000 psi
Dial Size:	4½", 6", 8½"
Case Material:	Aluminum, solid front, black epoxy coated
Ring:	Hinged steel, black wrinkle finish
Tube and Socket Material:	– (A) Phosphor bronze tube, brass socket – (P) Monel tube and socket
Movement:	400 Series SS rotary design, Teflon ⁽¹⁾ S coated bearings, Micrometer span adjustment, Bimetallic temp. compensator (.005%/per °F max. temp. error)
Connection Location:	Lower or back for flush mounting ⁽²⁾
Connection Size:	¼ or ½ NPT
Window Material:	Glass
Pointer:	Black-painted aluminum with red-painted, knife-edge tip
Dial:	Externally adjustable aluminum, black numerals with polished mirror band
Weather Proof:	No

OPTIONS

Acrylic window: **XPD**
 Safety glass window: **XSG**
 Throttling devices: **XTS**
 Carrying handle: **XCH**
 Carrying case: **2505**
 Aluminum case, threaded ring: **XAY⁽³⁾**
 Phenol case, threaded ring: **XTY⁽³⁾**

(1) Registered TM of DuPont Co.

(2) Cases supplied with studs for flush mounting.

(3) Not available with externally adjustable dial. Lower connect only.

Type 1082 Test Gauge

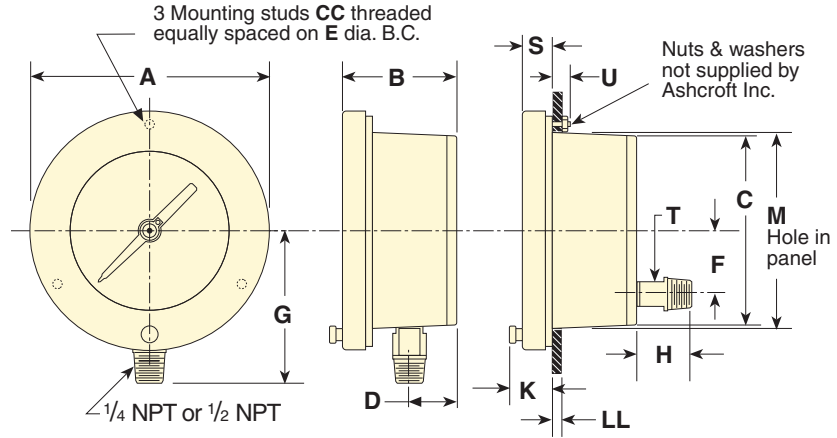
STANDARD RANGES

psi	Minor Graduations					
	4½"	6"	8½"			
Pressure						
0/15	0.05	0.05	0.02			
0/30	0.1	0.1	0.05			
0/60	0.2	0.2	0.1			
0/100	0.5	0.2	0.2			
0/150	0.5	0.5	0.2			
0/200	0.5	0.5	0.5			
0/300	1	1	0.5			
0/400	1	1	1			
0/600	2	2	1			
0/800	2	2	2			
0/1000	5	2	2			
0/1500	5	5	2			
0/2000	10	5	5			
0/3000	10	10	5			
0/5000	20	10	10			
0/10,000	50	20	20			
Vacuum						
30 in.Hg/0	0.1	0.1	0.05			
Compound						
Hg/psi	Vac.	Pres.	Vac.	Pres.	Vac.	Pres.
30/0/15	0.2	0.1	0.2	0.1	0.1	0.05
30/0/30	0.5	0.2	0.2	0.1	0.2	0.1
30/0/60	0.5	0.2	0.5	0.2	0.5	0.2
30/0/100	1	0.5	0.5	0.5	0.5	0.2
30/0/150	1	0.5	1	0.5	0.5	0.5
30/0/200	2	1	1	0.5	1	0.5
30/0/300	2	1	2	1	1	0.5
30/0/400	5	2	2	1	2	1

STANDARD RANGES

kg/cm2 – bar	kPa
Pressure	
0/1	0/100
0/1.6	0/160
0/2.5	0/250
0/4	0/400
0/6	0/600
0/10	0/1000
0/16	0/1600
0/25	0/2500
0/40	0/4000
0/60	0/6000
0/100	0/10,000
0/160	0/16,000
0/250	0/25,000
0/400	0/40,000
0/600	0/60,000
0/10,000	
Vacuum	
-1/0	-100/0
Compound	
-1/1.5	-100/150
-1/3	-100/300
-1/5	-100/500
-1/9	-100/900

DIMENSIONS



Model	Dial Size Inches	A	B	C	D	E	F	G	H	K	M	S	T	U	CC	LL
1082	4½"	6½ ₃₂ (155)				5% (137)		3½ ₁₆ (100)			4% (124)				#10-24	
	6"	7% ₁₆ (192)	2% (73)	4% (121)	1% ₁₆ (30)	7 (178)	1% (41)	4½ (114)	1% (35)	1½ ₂ (34)	6% (165)	% (16)	% (16)	% (19)	¼-20	¼ to ½ (3) (13)
	8½"	10% ₁₆ (257)				9% (244)		6 (152)				9 (229)				¼-20

*Millimeters shown in ().

Table A - Case selection & mounting

Dial Size (in)	Ordering Code	Case Type	Case: Material Finish	Ring: Style Material Finish	Mounting / Connection
4½	(45)	1082	Aluminum,	Hinged	Stem – Lower or back Flush – Lower ⁽¹⁾ or back
6	(60)		Black, epoxy	Steel	
8½	(85)		Coated	Wrinkle finish	

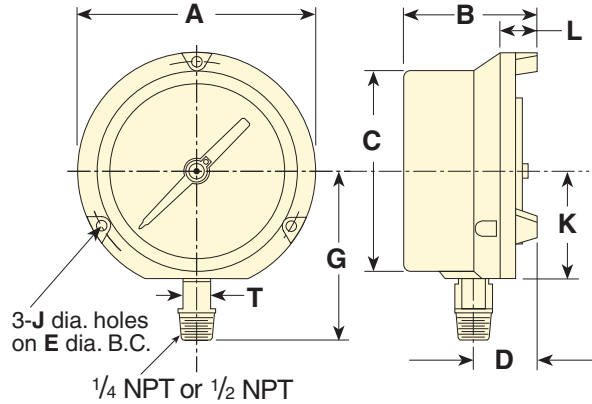
Table B - System Location and Connection Bourdon Tube & Tip Material

(all joints TIG welded except code "A")	Socket Material	Tube & Socket Code	Case Style Code	NPT Conn. & Code	Conn. Location & Code	Range Selection Limits (psi)
Phosphor bronze tube, Brass tip, silver brazed	Brass	(A)-Tube	(S) Solid Front	(02) ¼	Lower (L)	Vac./400
Monel 400	Monel 400	(P)	(S) Solid Front	(04) ½	Back (B)	Vac./10,000

NOTES: (1) Standard case only.

Type 1082 Test Gauge – XAY, XTY Case Options

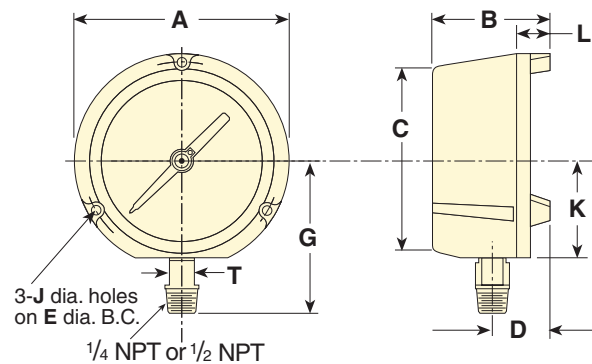
XAY DIMENSIONS



Model	Dial Size Inches	A	B	C	D	E	G	J	K	L	T
1082 XAY	4 1/2"	5 1/16 (143)	3 1/16 (87)	4 7/8 (124)	1 1/8 (41)	5 3/8 (137)	3 1/16 (94)	.218	2 5/8 (67)	1 1/16 (27)	5/8 (16)
	6"	7 7/8 (194)	3 1/2 (89)	6 3/8 (162)	1 1/8 (41)	7 (178)	4 13/16 (113)	.218	2 5/8 (67)	1 1/16 (27)	5/8 (16)

*Millimeters shown in ().

XTY DIMENSIONS



Model	Dial Size Inches	A	B	C	D	E	G	J	K	L	T
1082 XTY	4 1/2"	5 1/16 (143)	3 1/16 (87)	4 7/8 (124)	1 1/8 (41)	5 3/8 (137)	3 1/16 (94)	.218	2 5/8 (67)	1 1/16 (27)	5/8 (16)

*Millimeters shown in ().