



**KODIAK  
CONTROLS®  
INC.**

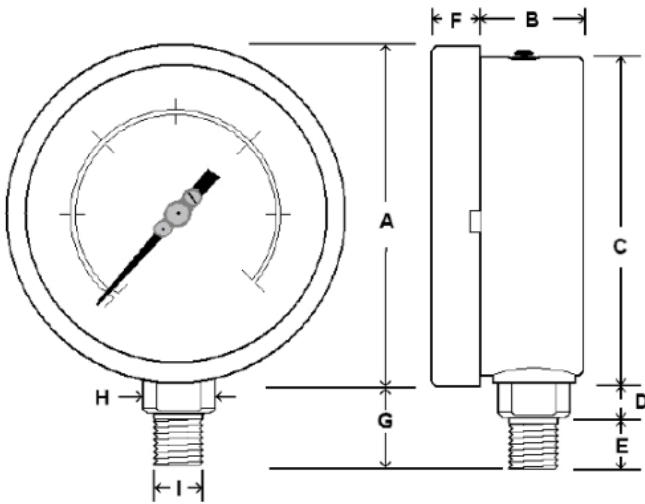
# KODIAK KC311 SERIES AMMONIA PRESSURE GAUGE

Master Distributor of Instrumentation,  
Controls, and Engineered Solutions for  
Industrial and OEM Applications

Kodiak's Ammonia series pressure gauges are designed for ammonia refrigeration applications and come with an ammonia scale on dial. They have an all stainless steel body and are liquid filled standard.

## Specifications

<b>Dial Sizes:</b>	2.5", 4"
<b>Case:</b>	304SS
<b>Wetted Parts:</b>	316SS
<b>Bezel:</b>	Bayonet
<b>Lens:</b>	Safety Glass
<b>Pointer:</b>	Black Aluminum
<b>Connection:</b>	Lower Mount—1/4"NPT
<b>Accuracy:</b>	2.5" - 2-1-2% 4" - 2-1-2%
<b>Fill:</b>	Glycerin (Standard)
<b>Temperature:</b>	20°F/160°F



## Options\*

- Custom Dials
- Special Fill Fluid
- Special Connection Threads (BSP, SAE, etc.)
- Glass Lens
- NIST Certificates of Calibration

\*Lead times and minimum orders may apply

Example:

**KC311L 25 NH3- 30/150**

Fill:  
L = Glycerin  
D = Dry  
S = Silicone

Dial Size:  
25 = 2.5"  
40 = 4"

Ranges:  
30/150 = 30"Hg-150PSI/  
-40F to 80F  
30/300 = 30"Hg-300PSI/  
-40 to 120F

	Unit	A	B	C	D	E	F	G	H
2.5" Dial	IN	2.72	0.76	2.50	0.24	0.49	0.44	0.70	0.55
	MM	69	19.5	64	6.2	12.4	11.3	18	14
4" Dial	IN	4.32	1.30	4.06	0.52	0.58	0.57	1.08	0.84
	MM	110	33	103	13.3	15	14.6	27.5	21.5